

Solenoid control diverter flow

We are pleased to inform you that the range of Solenoid control diverter flow has been enriched with the new 12V versions and the 315 bar max pressure one.

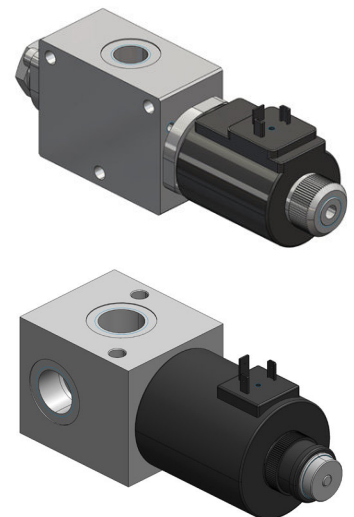
New code:

12192012042	DVT.3/2 HP G3/8 COMANDO ELT.12V DIN
12192012051	DVT.3/2 G3/8 COMANDO ELETTR.12V DIN
12192012060	DVT.3/2 HP G3/4 COMANDO ELT.12V DIN
12192012079	DVT.3/2 G3/4 COMANDO ELETTR.12V DIN
12192024048	DVT.3/2 G3/8 COMANDO ELETTR.24V DIN
12192024066	DVT.3/2 G3/4 COMANDO ELETTR.24V DIN

Existing codes:

12192000047	DVT.3/2 HP G3/8 COMANDO ELT.24V DIN
12192000064	DVT.3/2 HP G3/4 COMANDO ELT.24V DIN

	Description	Ports	Voltage	Power	Max flow	Max. pressure
			V	W	l/min	bar
12192000047	3/2 HP solenoid control diverter flow	G 3/8	24	46	40	400
12192012042	3/2 HP solenoid control diverter flow		12			315
12192024048	3/2 solenoid control diverter flow		24			
12192012051	3/2 solenoid control diverter flow		12			
12192000064	3/2 HP solenoid control diverter flow	G 3/4	24	60	90	400
12192012060	3/2 HP solenoid control diverter flow		12			315
12192024066	3/2 solenoid control diverter flow		24			
12192012079	3/2 solenoid control diverter flow		12			



TYPICAL APPLICATIONS:

- Hook loaders
- Special applications where you need to divert the oil flow into different function or control valves

Our sales/technical office is available for any further information you might require.