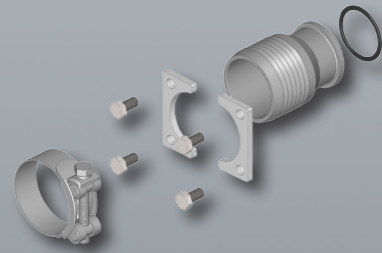


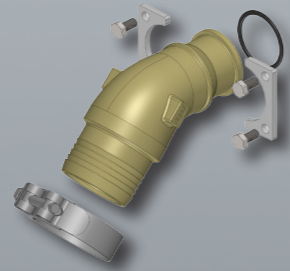
ACCESSORIES – Suction fittings

Straight fittings



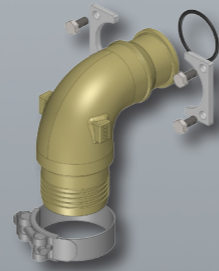
Code	D	DE
	mm	mm
155-112-00507	50	60-63
155-112-00516	50	64-67
155-112-00605	60	68-73
155-112-00632	63	74-79
155-112-00767	76	86-91

Fittings 45°



Code	D	DE
	mm	mm
155-112-45639	63	74-79
155-112-45764	76	86-91

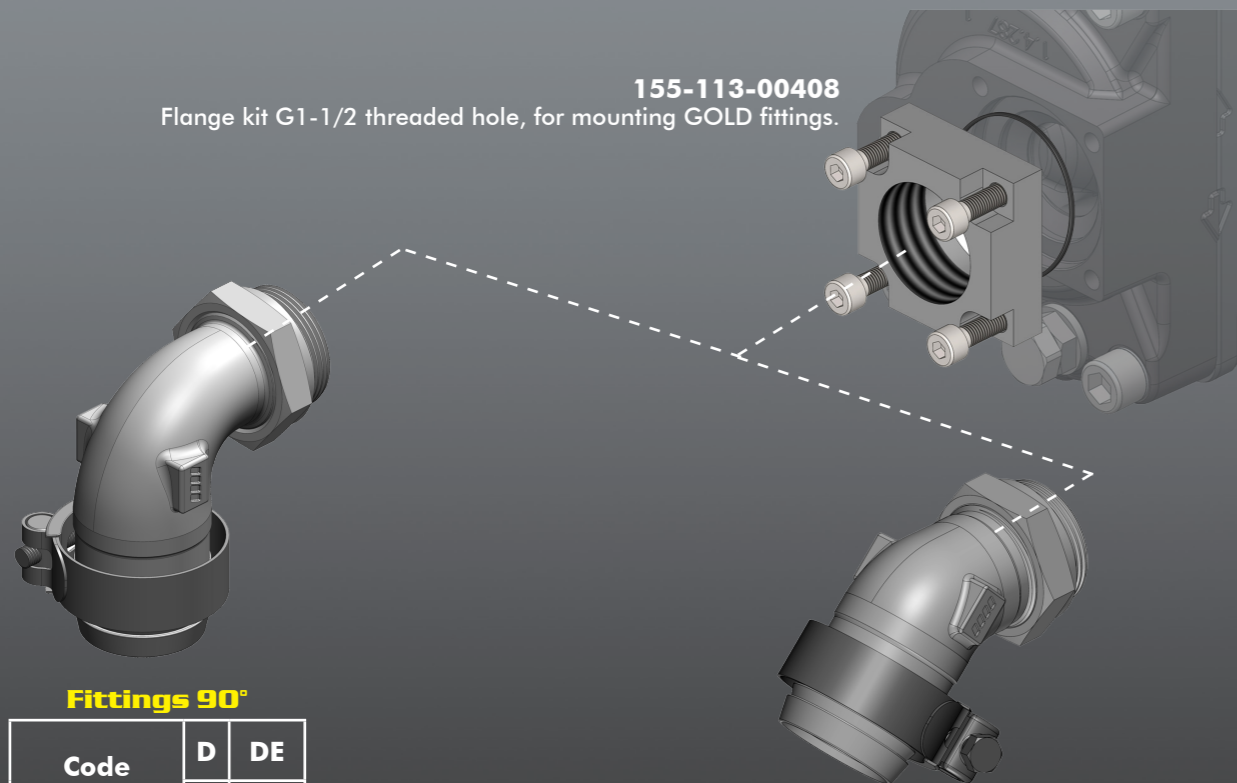
Fittings 90°



Code	D	DE
	mm	mm
155-112-90634	63	74-79
155-112-90769	76	86-91

Flange kit for mounting GOLD fittings

155-113-00408
Flange kit G1-1/2 threaded hole, for mounting GOLD fittings.



Fittings 90°

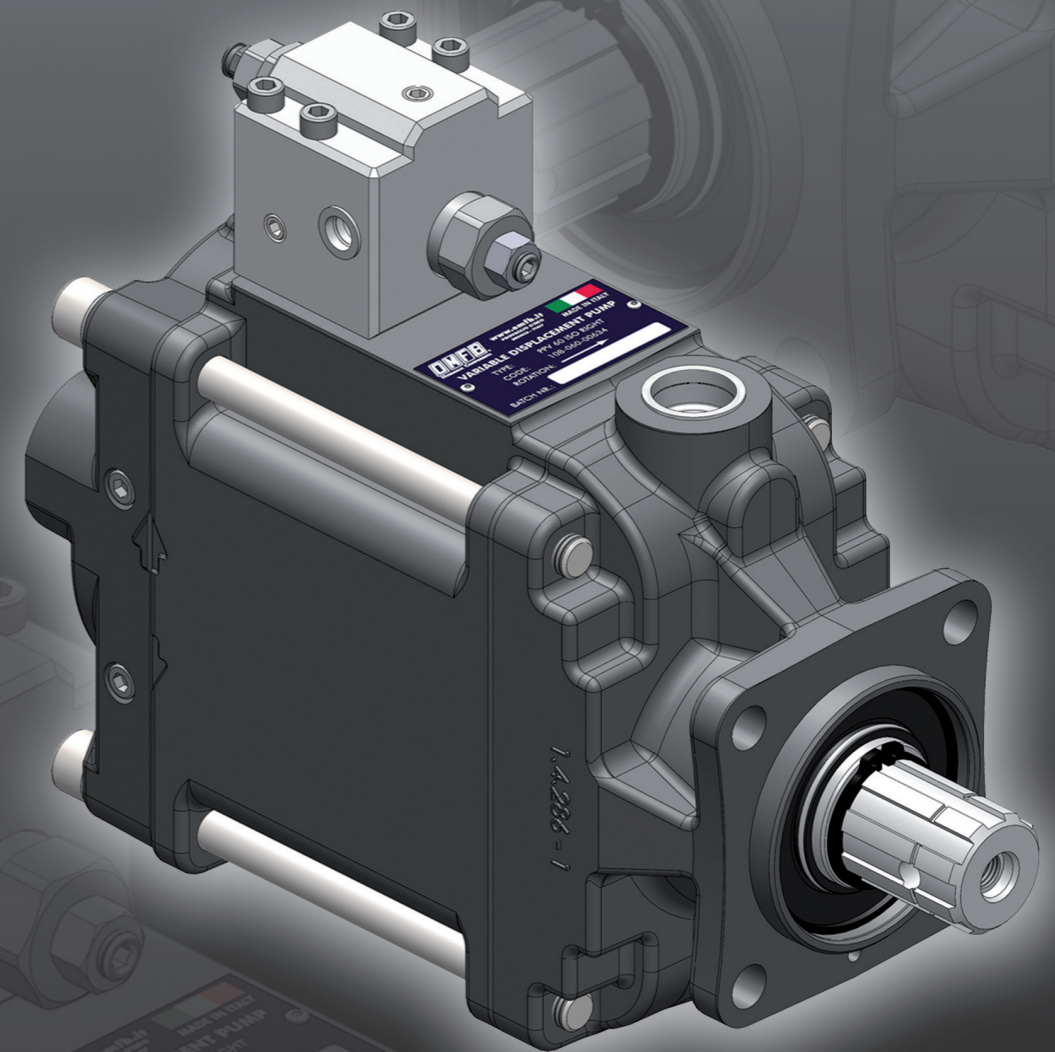
Code	D	DE
	mm	mm
155-100-00592	50	60-63
155-100-00609	50	64-67
155-100-00654	60	68-73

Fittings 45°

Code	D	DE
	mm	mm
155.090.00540	50	60-63
155-090-00559	50	64-67
155-090-00611	60	68-73

“PPV” VARIABLE DISPLACEMENT PUMPS

Variable displacement axial piston pumps with LOAD SENSING LS regulator. Thanks to their reduced width, they can be mounted directly on the PTOs for commercial vehicles.



Commercial Vehicle Hydraulics Ltd – Carter Lane East – South Normanton – Derbyshire DE55 2DY
Tel: (01773) 581983 – Fax: (01773) 511521 – email: enquiries@cvhltd.co.uk

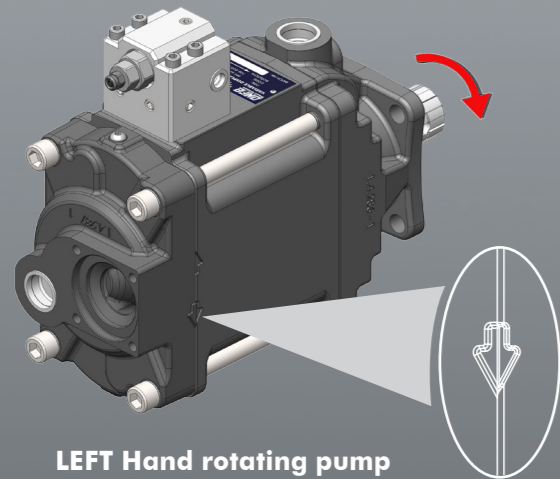


AUTHORIZED DEALER OF

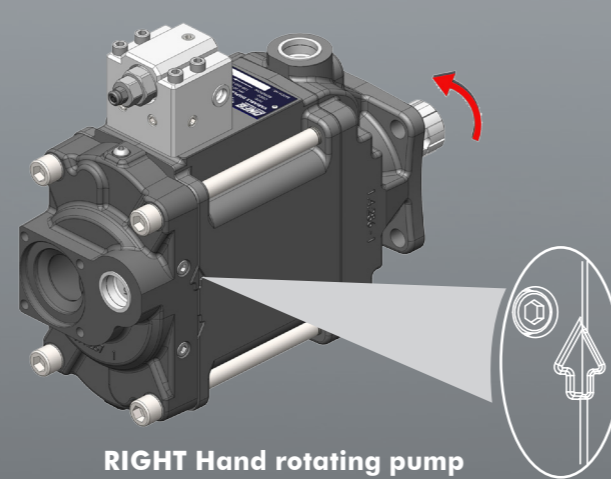


Variable displacement pumps

The OMFB variable displacement axial piston pump has got a swash plate. The displacement of the pump depends on the stroke of the pistons, which is determined by the inclination of the swash plate. At the start, the pump is at its maximum displacement position because of the springs pushing against the swash plate. The displacement of the pump is reduced by means of two pistons hydraulically operated that win the force of the springs. The cylinders block rotates together with the shaft forcing the pistons to rotate at the same speed of the shaft and make a circular path on the swash plate that causes the reciprocating movement. In this way, the pump is able to deliver from the maximum to zero flow rate. The variation of the displacement is controlled by a regulator, which is fitted on the pump itself. These pumps are designed to operate in open circuit. They allow very quick reaction time and thanks to its compact size they can be coupled directly onto PTO's of commercial vehicles. When ordering please specify the required direction of rotation.



LEFT Hand rotating pump



RIGHT Hand rotating pump

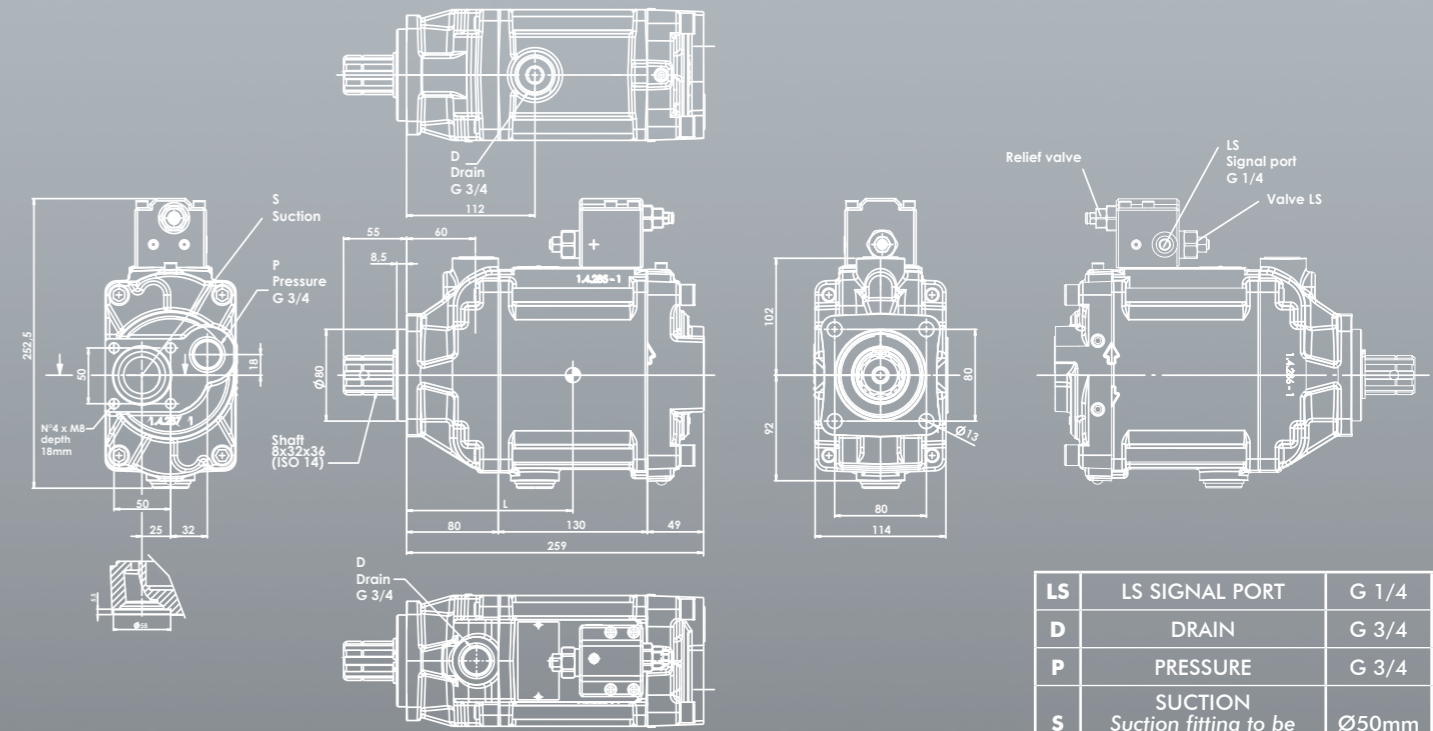
ORDER CODES						
PPV 60	PPV 60 ADJUSTABLE	PPV 60 SAE C	PPV 60 SAE C ADJUSTABLE	PPV 75	PPV 90	PPV 110
108-060-00625 left	108-060-20621 left	108-061-00606 left	108-061-20602 left	108-060-00778 left	108-060-00929 left	108-060-01124 left
108-060-00634 right	108-060-20630 right	108-061-00615 right	108-061-20611 right	108-060-00787 right	108-060-00938 right	108-060-01133 right

TECHNICAL FEATURES	PPV60		PPV75		PPV90		PPV110	
	PPV60 ADJUSTABLE	PPV60 SAE C	Continuous	Intermittent	Continuous	Intermittent	Continuous	Intermittent
Flow	60 l/min.		75 l/min.		90 l/min.		110 l/min.	
Max. swash plate angle	21,5°							
Working pressure	375 bar	400 bar	375 bar	400 bar	375 bar	400 bar	375 bar	400 bar
Absolute inlet pressure required in open circuit	0,85 bar							
Max. permissible housing pressure (static/dynamic)	3 bar							
Max. permissible inlet pressure (static/dynamic)	2 bar							
Max. speed during suction operation and max. swash plate angle at 1 bar abs. Inlet pressure	2500 rpm		2400 rpm		2300 rpm		2200 rpm	
Max. speed with zero stroke and 1 bar abs. Inlet pressure	3000 rpm							
Min. speed in continuous operation	500 rpm							
Required drive torque at 100 bar	100 Nm		125 Nm		150 Nm		185 Nm	
Drive power at 250 bar and 2000 rpm	53 kW		80 kW		100 kW		120 kW	
Weight	24 Kg		26 Kg		29 Kg		30 Kg	

PPV 75

75 cc pump displacement isn't available yet.

PPV 60 ISO

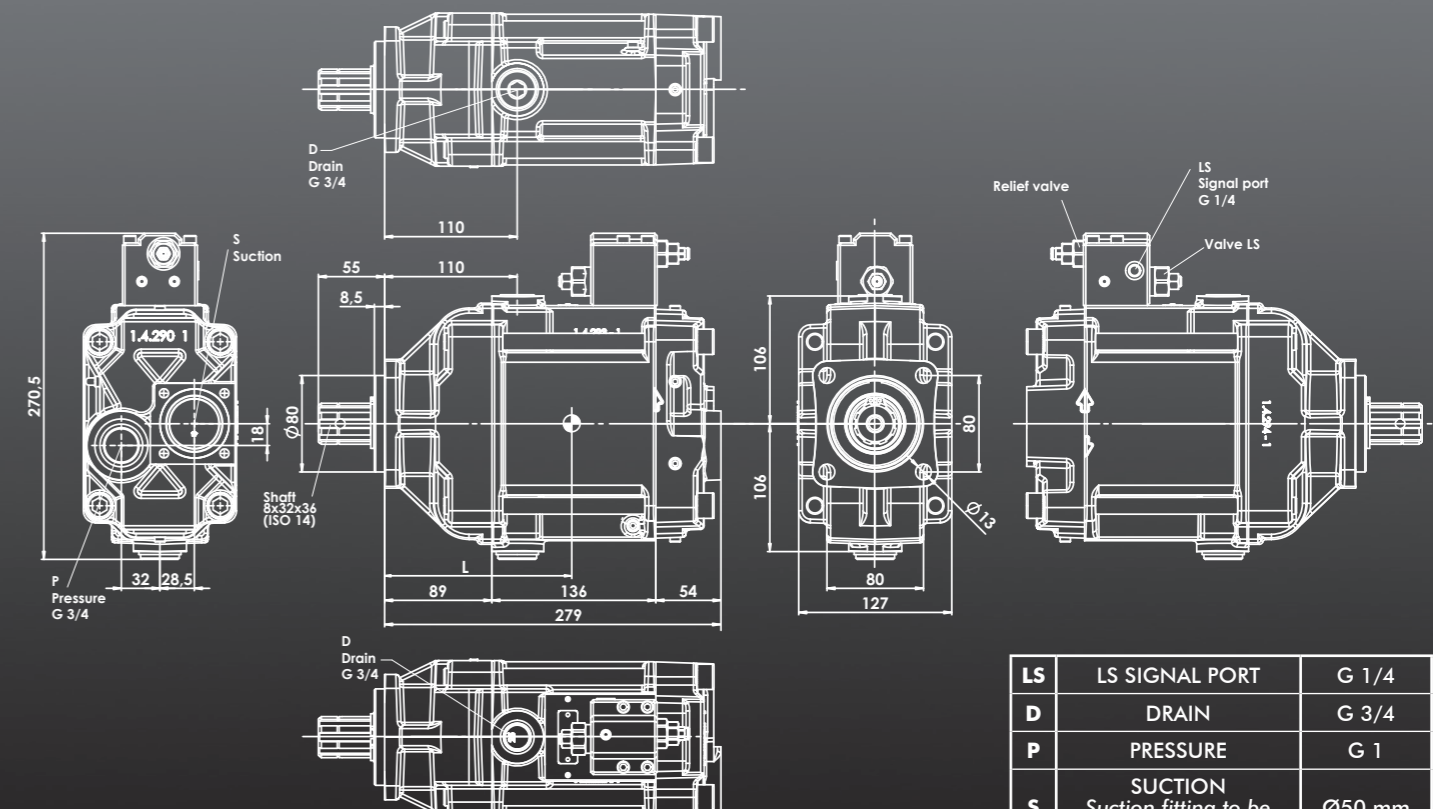


The **ADJUSTABLE** version has a rear adjusting screw that limits the pump displacement to less than the nominal rating.

PPV 60 SAE C version also available.

LS	LS SIGNAL PORT	G 1/4
D	DRAIN	G 3/4
P	PRESSURE	G 3/4
S	SUCTION Suction fitting to be ordered separately	Ø50mm
L	CENTER OF MASS	144mm

PPV 75-90-110 ISO



LS	LS SIGNAL PORT	G 1/4
D	DRAIN	G 3/4
P	PRESSURE	G 1
S	SUCTION Suction fitting to be ordered separately	Ø50 mm
L	CENTER OF MASS	154 mm